

Verve *high back*



DESCRIPTION

With a high back and a generous size seat, the Verve High Back chair provides both superior comfort and ergonomic features, supported by the following internationally recognised standards:

- 'AFRDI Level 6 - Severe Commercial Certification'
- Global GreenTag^{Cert™}

SPECIFICATIONS

Buro guaranteed to: 140kg

Buro indicative daily sitting hours: 8+

Overall size (mm): 580w x 950h x 560d

Back size (mm): 420w x 480h

Seat size (mm): 480w x 460d

Seat height (mm): 440-570

FEATURES

- Adjustable seat height
- Height adjustable back/lumbar
- Independently adjustable seat tilt
- free floating or lockable
- Independently adjustable back tilt
- free floating or lockable
- High density polyurethane moulded foam
- Meets Australian/New Zealand Standard AS/NZS 4438:1997
- Height Adjustable Swivel Chairs
- 60mm Castors

OPTIONS

- Soft PU castors (PC016)
- Polished aluminium base (PC068)
- Customer specified fabric
- Height and width adjustable arms (180-1)
- Depth adjustable seat slide (PC080)³

BURO QUALITY ASSURANCE

Manufactured in an ISO9001 & ISO14001 certified factory



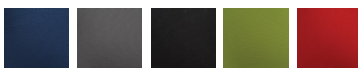
¹Jett Fabric T&C refer to our website.

²Same day dispatch | ²AFRDI Level 6 - Without arms model only | ³Lever seat slide mechanism can only be used on the Buro Verve High Back chair without arms.

⁴Guarantee conditions apply, please see buroseating.com.au. For Indent purchases (non stock orders) conditions may apply, please see buroseating.com.au for definitions & conditions.

In the interests of product development, Buro reserves the right to alter product specifications & features without notice.

JETT - 2 yr guarantee on fabric⁴



FY61 Dark Blue¹ | FY62 Charcoal | FY63 Black¹ | FY64 Green | FY66 Red

Material Analysis

Buro Seating acknowledges its responsibility to develop environmentally sustainable products and business practices and consequently is committed to growing our range of chairs which are manufactured from recycled and/or recyclable materials. Buro’s environmental management system (EMS) provides the framework for managing our environmental strategy;

MAIN PRINCIPLES

- To design products and processes that utilize minimal raw materials.
- To design products with a minimum end of life recyclability of 95% in NZ and Australia.
- To reduce, reuse and recycle waste.
- To develop an understanding of legislation relating to the environment and affecting the activities of our company.

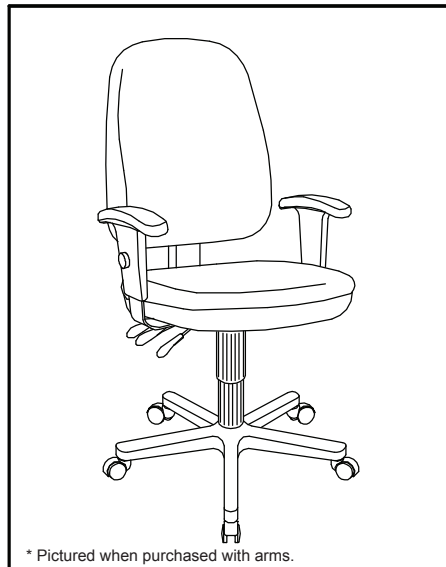
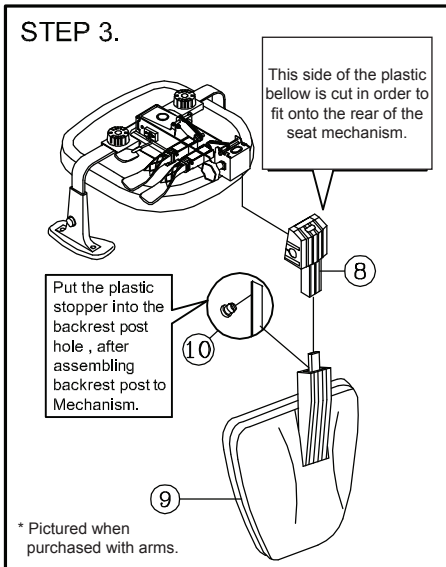
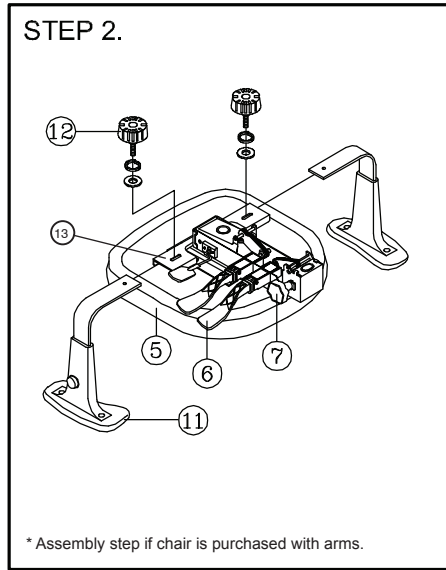
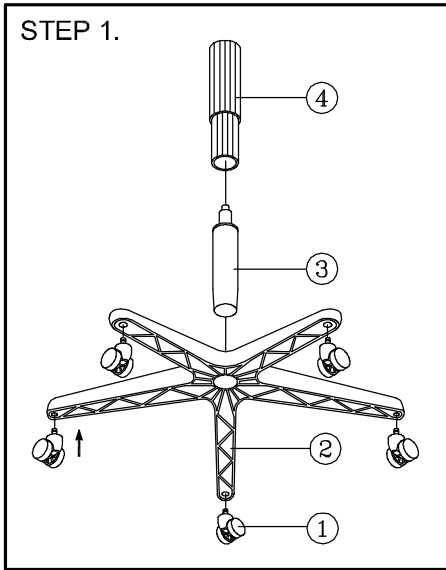
Buro is committed to developing a “cradle to grave” process for all seating products wholesaled in NZ and Australia.

MATERIAL TYPE	CHAIR COMPONENT	% RECYCLED CONTENT	% RECYCLABLE AFTER USE
Plastic (23.9%)	<ul style="list-style-type: none"> • Paddels/Plugs/Cover (0.2kg) • Seat & Back Pan (0.8kg) • Back Knob (0.2kg) • Gas Lift Bellows (0.2kg) • Castors (0.6kg) • 5 Star Base (1.7kg) 	35%	 <p>96.8% Recyclable</p>
Steel (54.8%)	<ul style="list-style-type: none"> • Seat Mechanism (6kg) • Screws & Bolts (0.2kg) • Gas Lift & Support Tube (1.3kg) • Back Post & Bracket (1kg) 	0%	
Plywood (11.6%)	<ul style="list-style-type: none"> • Seat & Back Plywood (1.8kg) 	0%	
Foam (6.5%)	<ul style="list-style-type: none"> • Seat/Back Foam (1kg) 	0%	
Upholstery (3.2%)	<ul style="list-style-type: none"> • Upholstery Fabric (0.5kg) 	0%	
Packaging (100%)	<ul style="list-style-type: none"> • Cardboard Carton & Internal Packaging (1.0kg) • Plastic Bag (0.1kg) • Recycled Paper (0.1kg) • Strapping & Tape (0.05kg) 	88% 0% 90% 0%	 <p>100% Recyclable</p>

Assembly, Operating & Maintenance Instructions

BURO VERVE HIGH BACK CHAIR - WITH & WITHOUT ARMS

Remove all items from the carton. Verify all pieces before assembly.



PART LIST

KEY	QTY	DESCRIPTION
1	5	Castors
2	1	Base
3	1	Gas Lift
4	1	Gas Lift bellows
5	1	Seat
6	1	Mechanism
7	1	Backrest Height knob
8	1	Plastic Bellow
9	1	Backrest
10	1	Plastic stopper
11*	2	Armrests
12*	2	Armrest knobs & washers
13*	1	Arm plate

Assemble the arm plate (13) to the front of seat mechanism (6) by removing the 4 x front mechanism bolts, position the arm plate (13) over the mech (6) and firmly refasten the arm plate & seat mech together using the 4 x mechanism bolts.

*Parts required for chairs purchased with arms only.

CARE & MAINTENANCE

GENERAL CARE

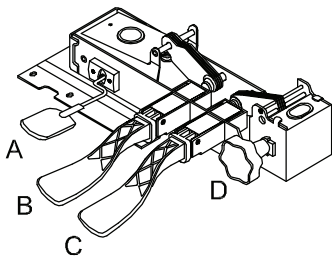
To maintain the appearance of non-upholstered parts wipe the surface with a clean cloth dampened with a mild detergent solution. Do not remove any parts for separate cleaning. Do not saturate the fabric or interior with water or other cleaning liquids. Do not shampoo clean. Do not clean with hot water extraction machine. Do not clean with onsite drycleaning machine. Protect from direct sunlight, heat and weather.

FABRIC UPHOLSTERY CARE

Wipe with a clean cloth dampened with a mild upholstery detergent solution. A soft bristle brush may be used to remove ingrained soil. Spot clean as above. Treat spills and stains as soon as possible. Persistent stains may require treatment by a professional cleaner. May be cleaned with dry powder cleaners. Allow to dry thoroughly before reuse.

MECHANISM OPERATING INSTRUCTIONS

IMPORTANT NOTE: Do not operate the mechanism levers unless properly seated in the chair.



- A / Pneumatic Height Adjustment
- B / Seat Tilt Adjustment
- C / Backrest Tilt Adjustment
- D / Backrest Height Adjustment Knob

UPHOLSTERY & FOAM SPECS*

FOAM

Flame Resistant: Ca117 Section A Part I & Section D Part II

UPHOLSTERY: FABRIC

Flame Resistance: Ca117 Section E Class I

*This applies only to standard Buro stock. Any customer specified upholstery may not meet these specifications.

PREVENTATIVE MAINTENANCE & WARNING!

- Use this product only for seating one person at a time.
- Do not use this chair as a step stool/ladder.
- Do not sit on any part of the chair except the seat.
- Do not use this chair on uneven floor surfaces.
- Do not interfere with the operating of the gas lift.
- Do not use chair unless all bolts, screws and knobs are tight. At least every six months check all bolts, screws and knobs to ensure they are tight.
- If any parts are missing, broken, damaged or worn do not use the product until repairs are made using factory authorised parts.
- Dispose of packaging properly.
- Plastic bag is not a toy.
- Do not use plastic bag as a head covering as it may cause suffocation.
- Failure to follow these warnings could result in serious injury.