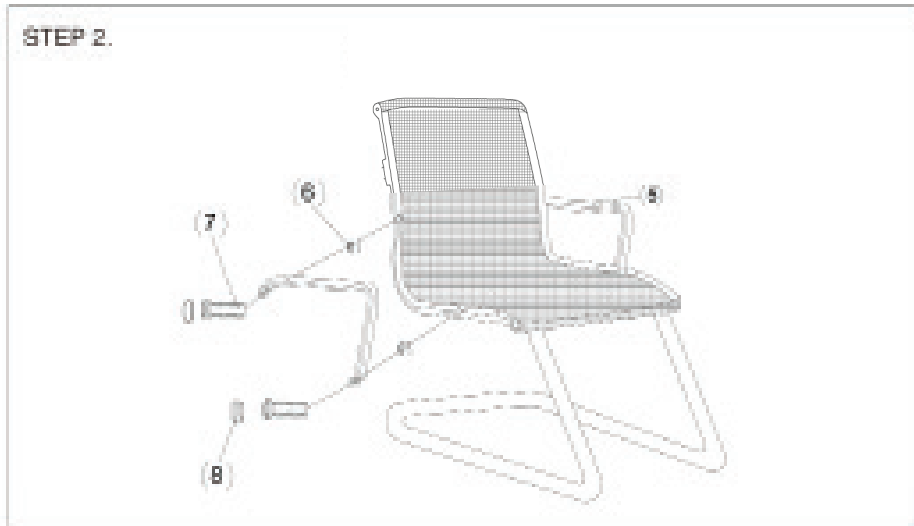
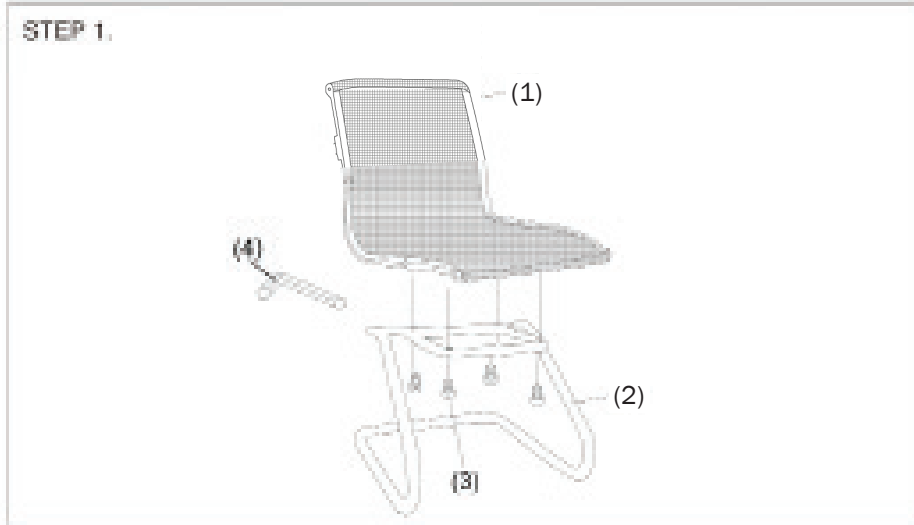


Assembly, Operating & Maintenance Instructions

Staples Madison Cantilever Visitor Chair

Re-Order Code: 18902563

Remove all items from the carton. Verify all pieces before assembly.



PARTS LIST

KEY	QTY	DESCRIPTION
1	1	Back
2	1	Cantilever Frame
3	4	Metal frame screws M8 x 40mm
4	1	Allen Wrench
5	2	Armrests
6	4	Armrest Washers
7	4	Armrest Screws M8 x 55mm
8	4	Armrest Caps

CARE & MAINTENANCE

GENERAL CARE

- To maintain the appearance of non-upholstered parts wipe the surface with a clean cloth dampened with a mild detergent solution
- Do not remove any parts for separate cleaning
- Do not saturate the fabric or interior with water or other cleaning liquids
- Do not shampoo clean
- Do not clean with hot water extraction machine
- Do not clean with onsite drycleaning machine
- Protect from direct sunlight, heat and weather.

UPHOLSTERY CARE FOR FABRIC

- Wipe with a clean cloth dampened with a mild upholstery detergent solution
- A soft bristle brush may be used to remove ingrained soil
- Spot clean as above. Treat spills and stains as soon as possible
- Persistent stains may require treatment by a professional cleaner
- May be cleaned with dry powder cleaners
- Allow to dry thoroughly before reuse.

UPHOLSTERY & FOAM SPECS

FOAM

Flame Resistant: Ca117 Section A Part I & Section D Part II

UPHOLSTERY: FABRIC MESH

Flame Resistance: Ca117 Section E Class I

PREVENTATIVE MAINTENANCE & WARNING!

- Do not use this chair as a step stool/ladder.
- Do not sit on any part of the chair except the seat.
- Do not use this chair on uneven floor surfaces.
- Do not open, heat up or interfere with the operation of the gas lift
- Do not use chair unless all bolts, screws and knobs are tight. At least every three months check all bolts, screws and knobs to ensure they are tight.
- If any parts are missing, broken, damaged or worn do not use the product until repairs are made using factory authorised parts.
- Dispose of packaging properly.
- Plastic bags used for packaging are not toys.
- Do not use plastic bag as a head covering as it may cause suffocation.
- Failure to follow these warnings could result in serious injury.
- Use this product only for seating one person at a time.
- Indicative Weight Usage: 110kg
- Indicative daily sitting hours: 4-6 hrs