

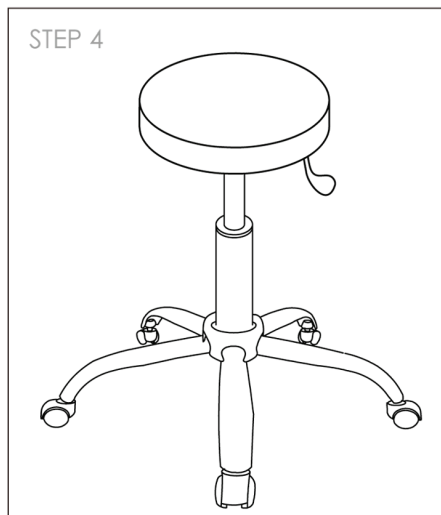
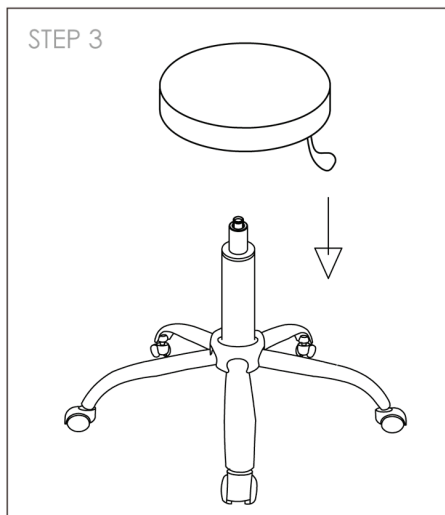
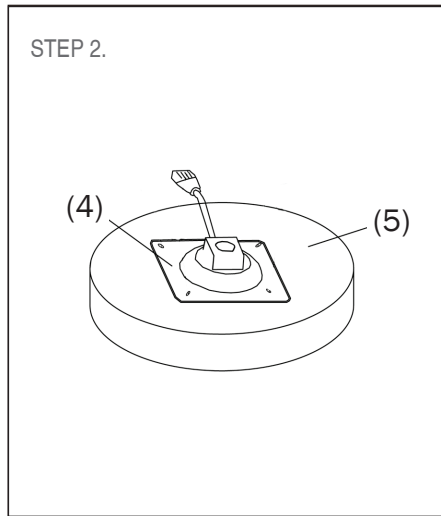
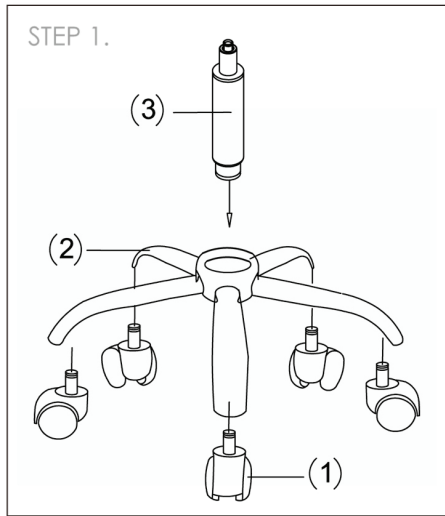
# Assembly, Operating & Maintenance Instructions

## Staples Vida Stool

Re-Order Code: 18965828



Remove all items from the carton. Verify all pieces before assembly.



### PARTS LIST

KEY	QTY	DESCRIPTION
1	5	Castors
2	1	Base
3	1	Gas Lift
4	1	Seat Mechanism
5	1	Seat

### CARE & MAINTENANCE

#### GENERAL CARE

- To maintain the appearance of non-upholstered parts wipe the surface with a clean cloth dampened with a mild detergent solution
- Do not remove any parts for separate cleaning
- Do not saturate the fabric or interior with water or other cleaning liquids
- Do not shampoo clean
- Do not clean with hot water extraction machine
- Do not clean with onsite drycleaning machine
- Protect from direct sunlight, heat and weather.

#### UPHOLSTERY CARE FOR PU/PVC

Wipe with a clean cloth dampened with a mild upholstery detergent solution

- Use only vinyl care products suitable for upholstery vinyl and strictly in accordance with the manufacturer's instructions
- Spot clean as above
- Treat spills and stains as soon as possible
- Persistent stains may require treatment by a professional cleaner
- Allow to dry thoroughly before reuse.

### UPHOLSTERY & FOAM SPECS

#### FOAM

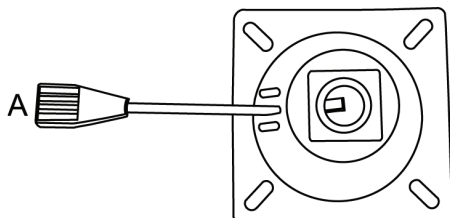
Flame Resistant: Ca117 Section A Part I & Section D Part II

#### UPHOLSTERY: PU/PVC

Flame Resistance: Ca117 Section E Class I

### MECHANISM OPERATING INSTRUCTIONS

**IMPORTANT NOTE:** Do not operate the mechanism levers unless properly seated in the chair.



A. Lever for seat height adjustment

### RECOMMENDED SEATING POSITION & OPERATING INSTRUCTIONS:

To ensure maximum enjoyment, comfort & safety when using this chair, please familiarise yourself with the following recommended seating positions & operating Instructions as detailed below;

1. Sit on the chair to operate the chair functions
2. Lift the 'seat height adjustment' lever paddle (A) to lower the seat to the desired seat height position. To raise the seat, lift seat height adjustment' lever paddle (A) while supporting your own weight off the seat.

**NOTE:** A suitable seat height position maybe influenced by your working environment e.g. the height of the work surface. Your forearms should be as close to horizontal as possible when working at your work surface & your feet should resting flat on the floor or on a solid surface.

### PREVENTATIVE MAINTENANCE & WARNING!

- Do not use this chair as a step stool/ladder.
- Do not sit on any part of the chair except the seat.
- Do not use this chair on uneven floor surfaces.
- Do not open, heat up or interfere with the operation of the gas lift
- Do not use chair unless all bolts, screws and knobs are tight. At least every three months check all bolts, screws and knobs to ensure they are tight.
- If any parts are missing, broken, damaged or worn do not use the product until repairs are made using factory authorised parts.
- Dispose of packaging properly.
- Plastic bags used for packaging are not toys.
- Do not use plastic bag as a head covering as it may cause suffocation.
- Failure to follow these warnings could result in serious injury.
- Use this product only for seating one person at a time.
- Indicative Weight Usage: 113kg
- Indicative daily sitting hours: 3 hrs