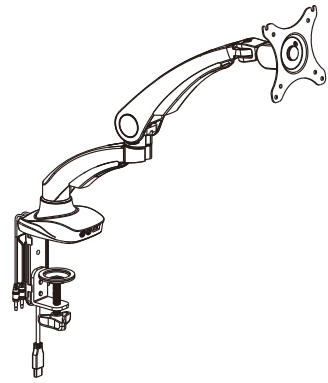


Item No.:SMARM

Installation guide



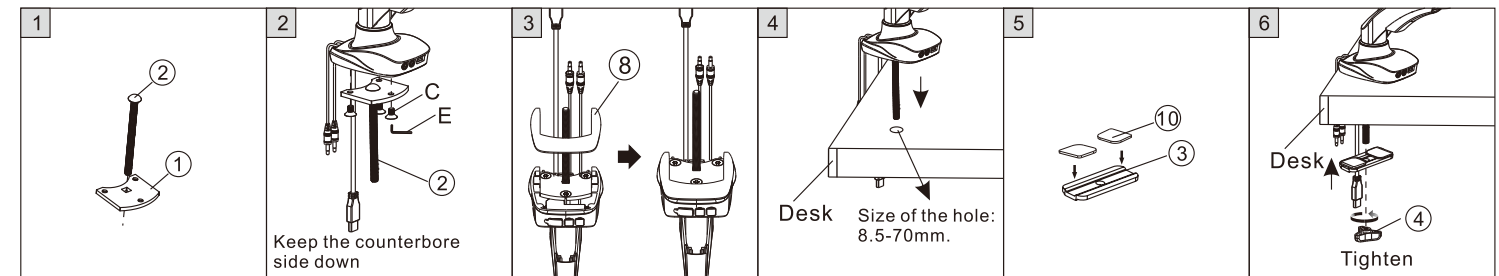
M4X12MM A (4PCS)
 M5X12MM B (4PCS)
 M6X12MM C (3PCS)
 M6X10MM D (2PCS)
 4X4 Allen key E (1PCS)
 5X5 Allen key F (1PCS)

① Bottom support 1	1PCS	1
② Screw	1PCS	
③ Washer	1PCS	
④ Butterfly knob	1PCS	
⑤ Bottom support 2	1PCS	2
⑥ Knob	1PCS	
⑦ Cable cover	1PCS	3
⑧ Anti-slip rubber 1	1PCS	
⑨ Anti-slip rubber 2	1PCS	
⑩ Anti-slip rubber 3	2PCS	

STEP2-B

Option 2: Grommet

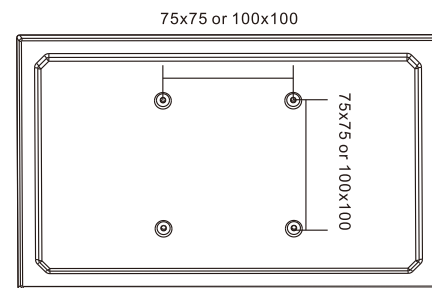
▲ For table thickness:20-90mm



STEP1

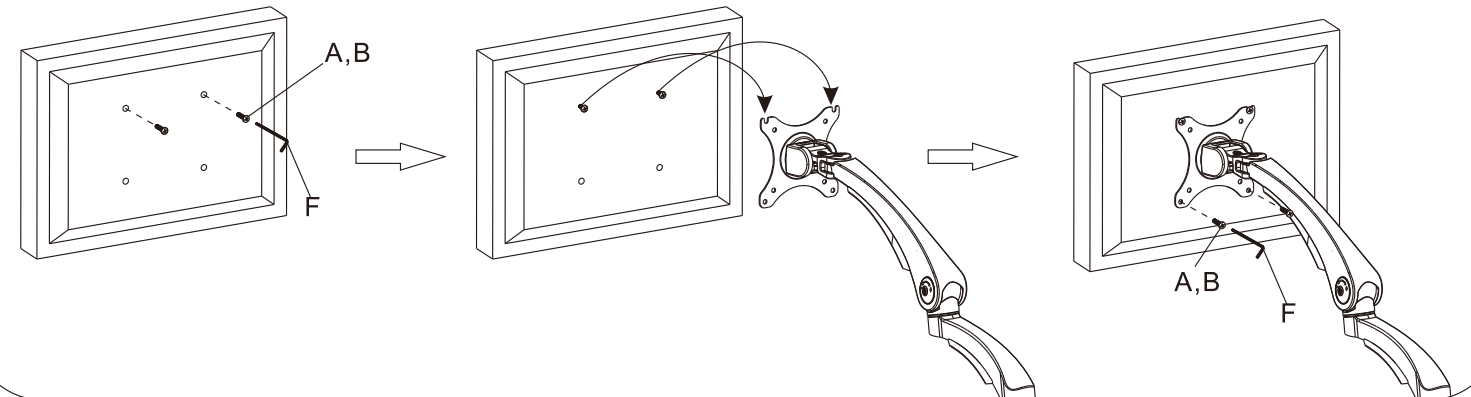
Preparations before installing monitor

1. Make sure there are VESA holes 100x100mm or 75x75mm in the monitor. If not, the mount couldn't be installed.
2. Remove the original fixed base of monitor. Be careful not to scratch the screen.



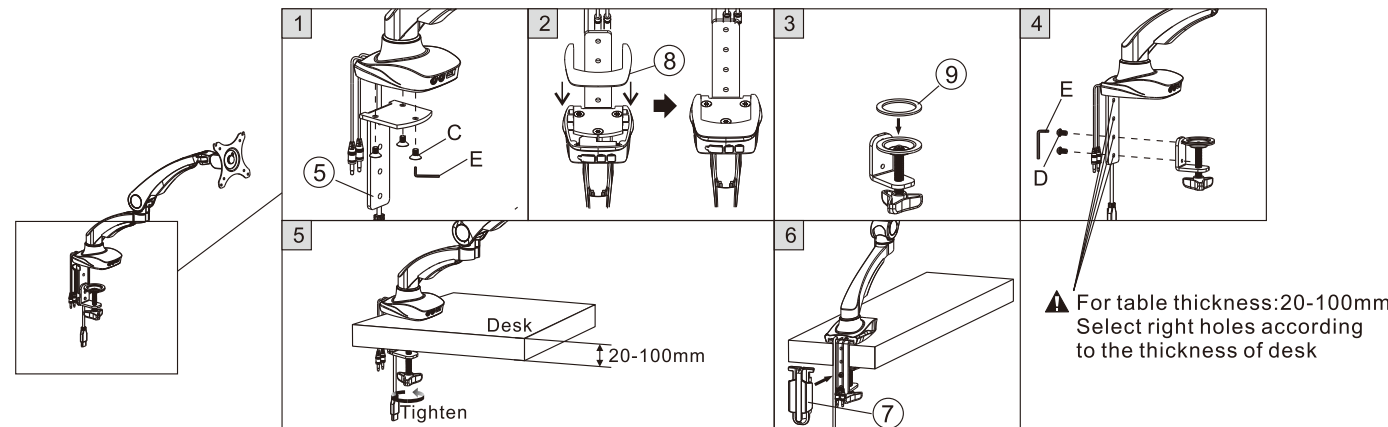
STEP3

Attaching the monitor to the plate



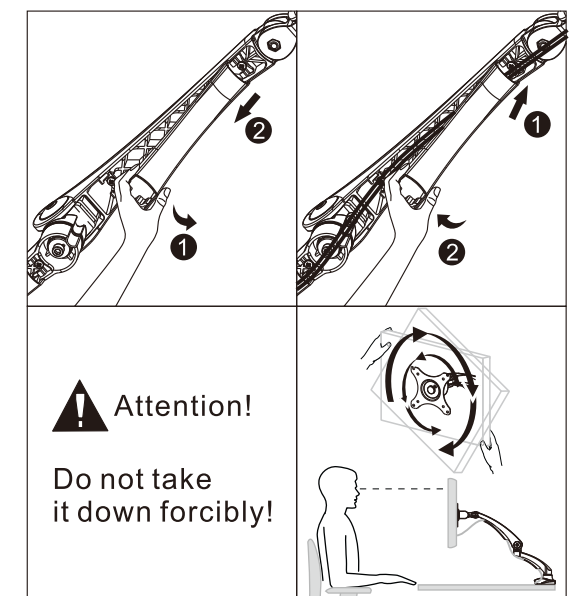
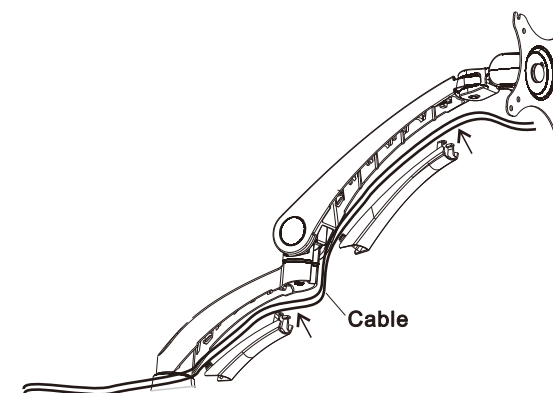
STEP2-A

Option 1: Clamp



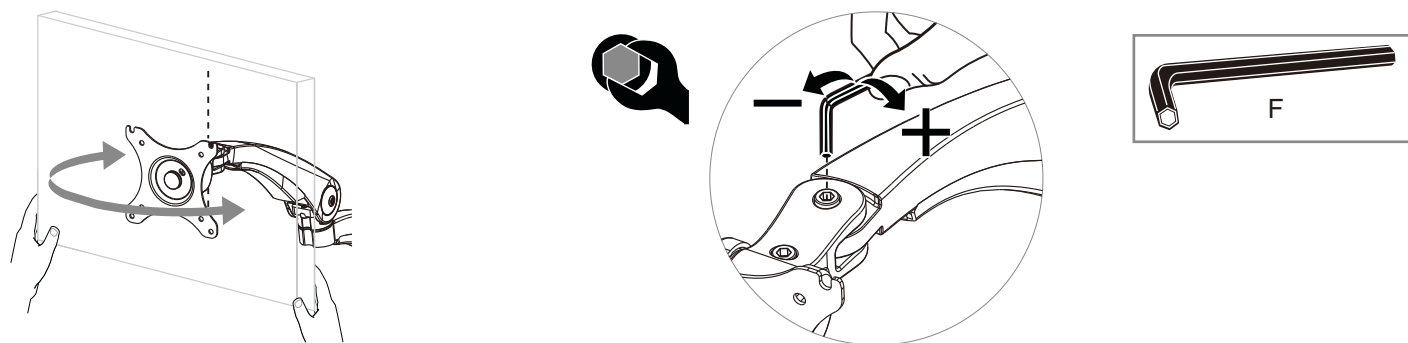
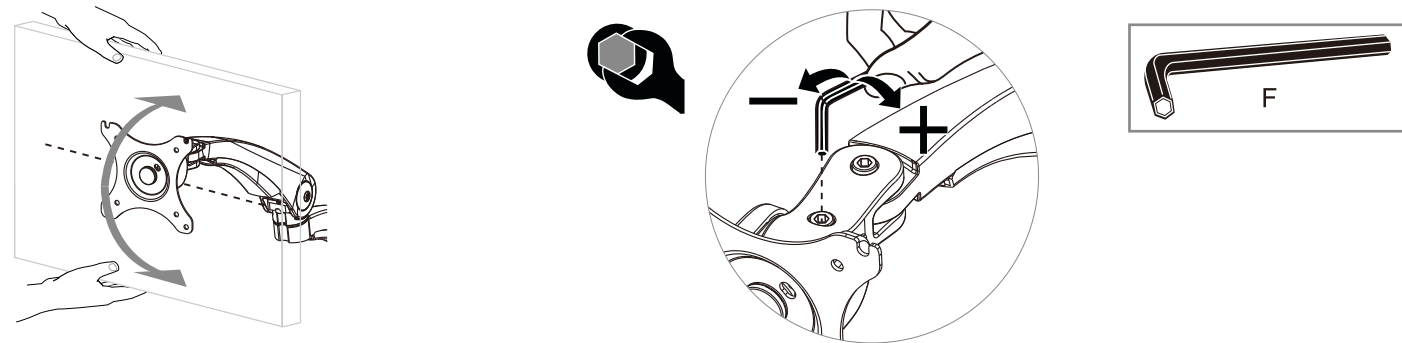
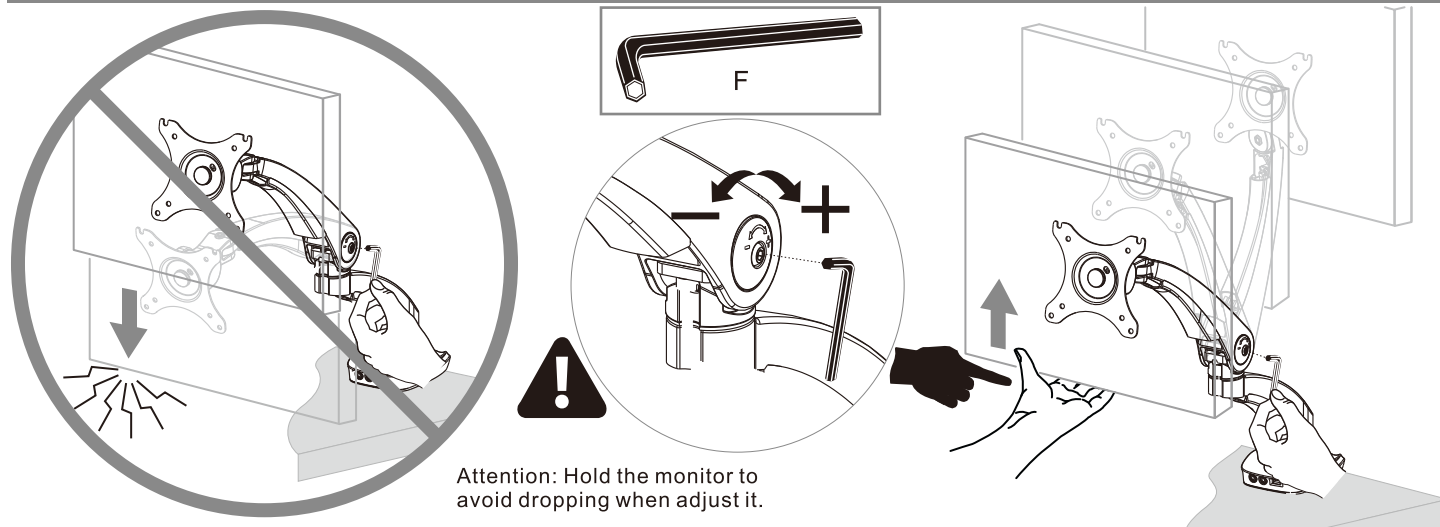
STEP4

Using cord management



STEP 5

Adjusting display



CAUTION

- This product contains small items that could be a choking hazard if swallowed. Keep these items away from young children.
- Make Sure these instructions are read and completely understood before attempting installation. If you are unsure of any part of this installation, please contact a professional installer for assistance.
 - The desk or mounting surface must be capable of supporting the combined weight of the mount and the display, otherwise the structure must be reinforced.
 - Safety gear and proper tools must be used. A minimum of two people are required for this installation. Failure to use safety gear can result in property damage, serious injury or death.
 - please check joint parts every two months, making sure the screws are loosened or not.

This product was designed to be installed on desk. Before installing, make sure the mount will support the combined load of the equipment and hardware. Never exceed the maximum load capacity 5 KG, or else it may result in product failure or personal injury.

Note: this product is intended for indoor use only. Use of this product outdoors could lead to product failure or personal injury.