

ICON™



Hard Roll Towel Dispenser

An elevated hygiene
experience engineered to
give you control.





CONFIDENCE BY DESIGN

Electronic Hard Roll Towel System

Elevate your space with the new standard for towel dispensing performance. Thoughtfully engineered for unsurpassed confidence, the Kimberly-Clark Professional™ ICON™ hard roll towel system provides a dispensing experience designed with you in mind.

The Kimberly-Clark Professional™ ICON™ hard roll towel dispenser is our best servicing experience yet.





ICON™ COLLECTION

Game changing hygiene

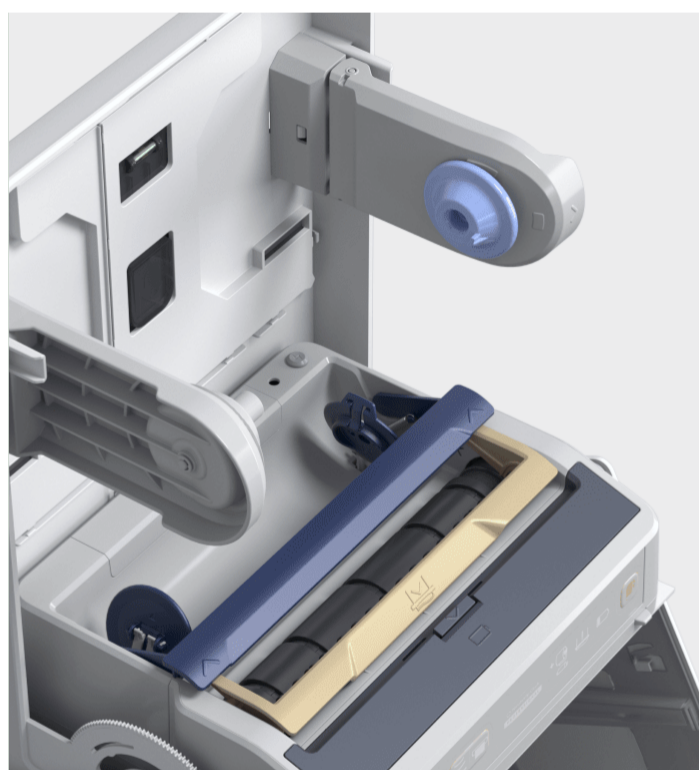
The Kimberly-Clark Professional™ ICON™ dispenser was designed with a goal to reduce the potential risk of cross contamination. Taking into account every interaction, the ICON™ dispenser is a next-level hygiene experience engineered to minimize the risk of spreading germs from every touchpoint.

Kleenex® Branded Roll Towels along with the ICON™ Electronic Roll Towel Dispenser deliver great hygiene & experience.



Touchless dispensing

Reduce the risk of spreading germs with contactless dispensing.



Minimized maintenance touch-points

Simple design that reduces the number of touchpoints, lessening the potential risks for cross contamination when you can't afford it.



Hidden towel mode

Minimize chances for contamination and keep paper inside dispenser until user prompted.



PERFORMANCE

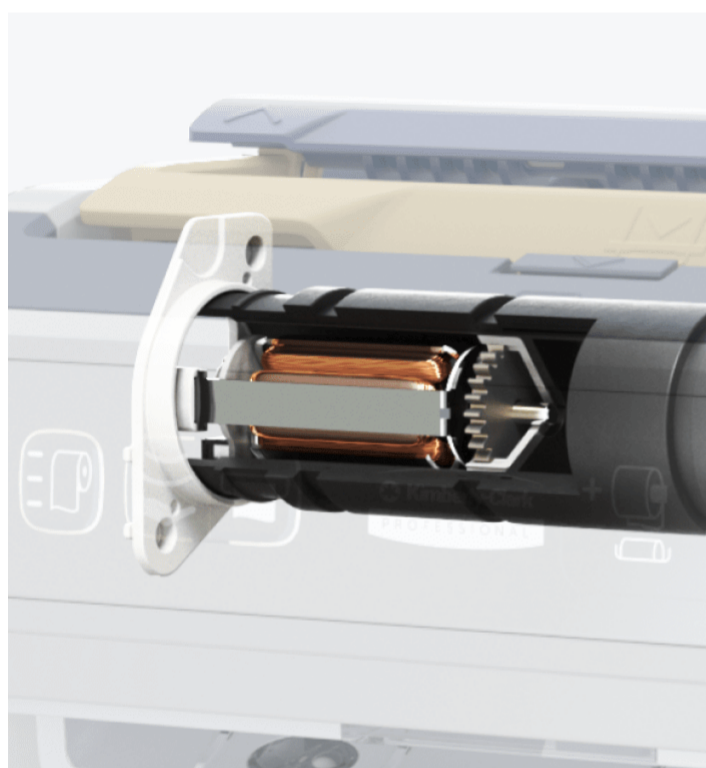
Unmatched reliability

The Kimberly-Clark Professional™ ICON™ dispenser utilizes direct drive technology and dual sensor technology for 99.99% jam-free dispensing¹ with virtually noiseless operation for a truly customer-centric experience.



Lifetime Warranty† for our
ICON™ dispenser collection

Proudly offered by Kimberly-Clark Professional™



Jam-free operation

Proven 99.99% jam-free performance to ensure paper towels are available when you need them.¹



Dual sensor technology

Recognizes partially torn sheets and presents a new sheet to help ensure paper is available.



Long-lasting battery life

Get up to 150,000 dispenses on a single set of batteries in the ICON™ hand towel dispenser.²

¹Based on Kimberly-Clark Professional lab testing.

²Based on testing using GP and Excell batteries. Performance may vary depending on batteries available in your country. *Designs may vary by country.



REFINED TECHNOLOGY

Elevated experience

The Kimberly-Clark Professional™ ICON™ electronic towel dispenser delivers the ultimate dispensing experience through our most technologically advanced system available today. Designed for flexibility and engineered for ease-of-use, the ICON™ dispenser offers uncompromised control with confidence.

Nearly 50% surveyed¹ agree that touchless paper towel dispenser is important to drive confidence in facility's cleanliness and hygiene.



Nearly noiseless operation

ICON™ hard roll towel dispensers deliver our quietest towel dispensing experience, to help minimize disruptions.²



Controllable sheet length

Sheet length options of 25.5cm, 30.5cm, or 35.5cm or hidden towel mode providing ultimate control of user experience.



Unique design aesthetic

Compliment your interior for a pleasing restroom experience with unique designer faceplates.

¹Based on research commissioned by Kimberly-Clark Professional in Jan 2022. 403 washroom end-users surveyed across Australia. ²Comparing KCP dispensers available across APAC
*Designs may vary by country



SERVICING

Confidence in ease of maintenance

Engineered with you in mind, every detail was refined for an unsurpassed experience. From the ergonomics to the sophisticated dampened hinge for controlled opening, ICON™ dispensers redefine intuitive design.

Other dispensers are designed around paper. **The ICON™ dispenser is designed around you.**

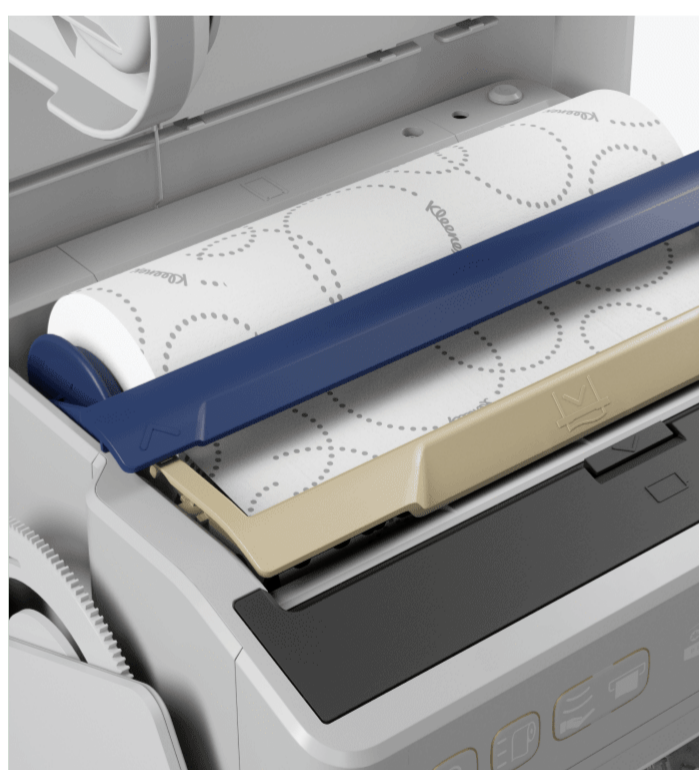


Product run out is one of the top 4 major¹ bathroom issues.



Intuitive visual cues

LED lights communicate when a unit needs attention, minimizing touchpoints for an improved, more hygienic experience.



Minimize Waste

Maximize use with stub roll capability that enables restocking before the roll is empty, streamlining maintenance².



Flexible accessibility options

Versatile locking mechanism options include push button entry and a custom key entry location for increased accessibility.

¹Based on research commissioned by Kimberly-Clark Professional in Jan 2022. 151 choosers of Restroom/Hygiene Products surveyed across Australia. ²Feature coming in late 2022.

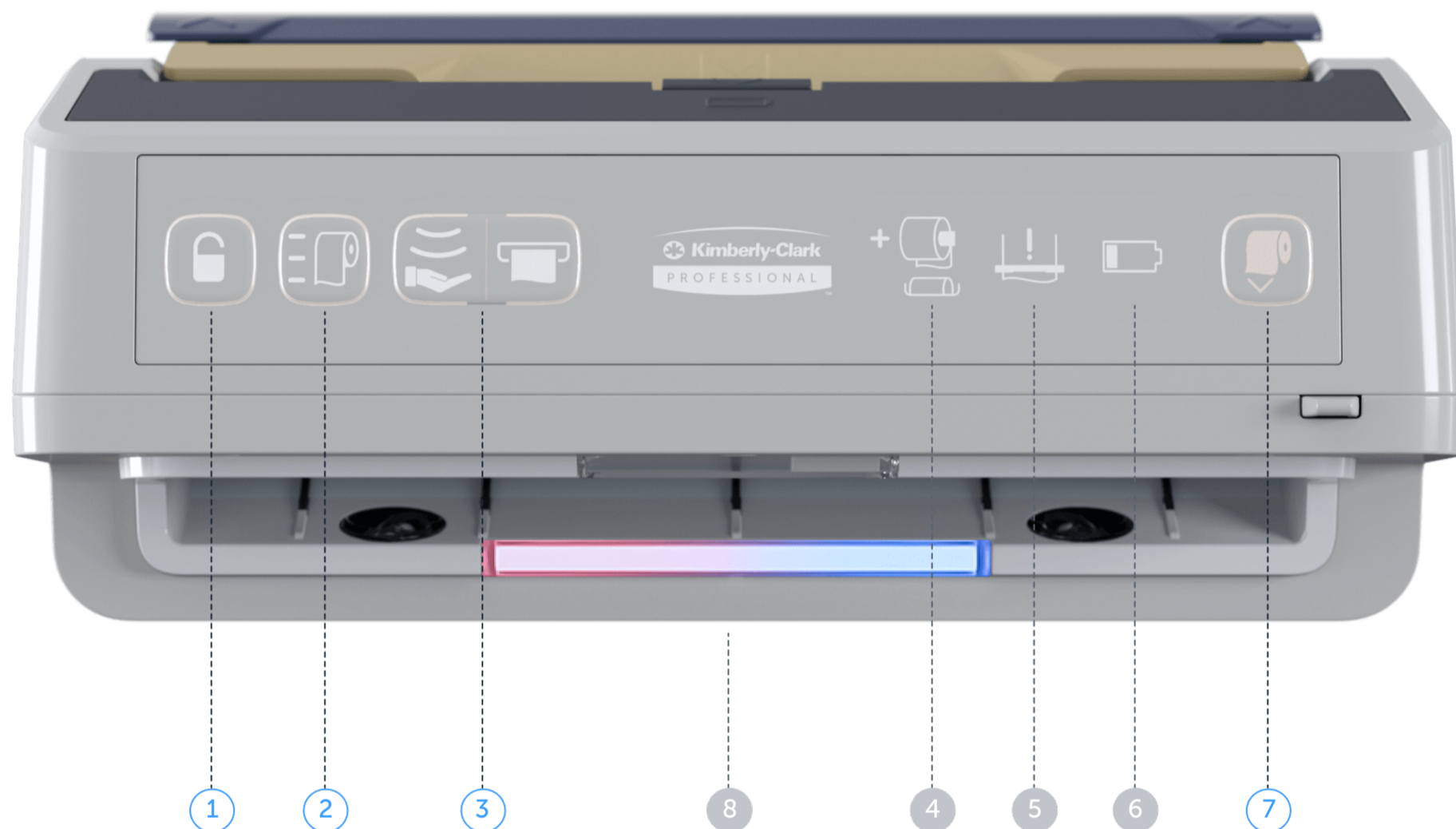
*Designs may vary by country



REFINED MAINTENANCE

Touch panel simplicity

The easy-to-read touch panel is designed for intuitive servicing while preventing accidental setting adjustments.



CONTROLS

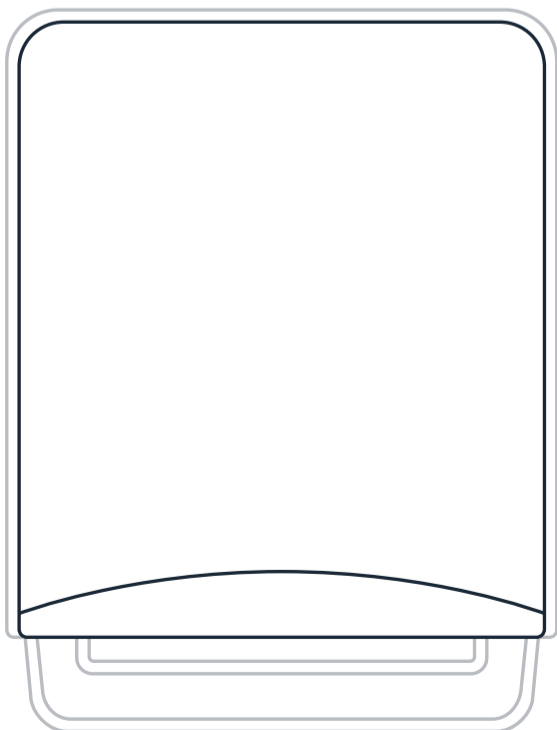
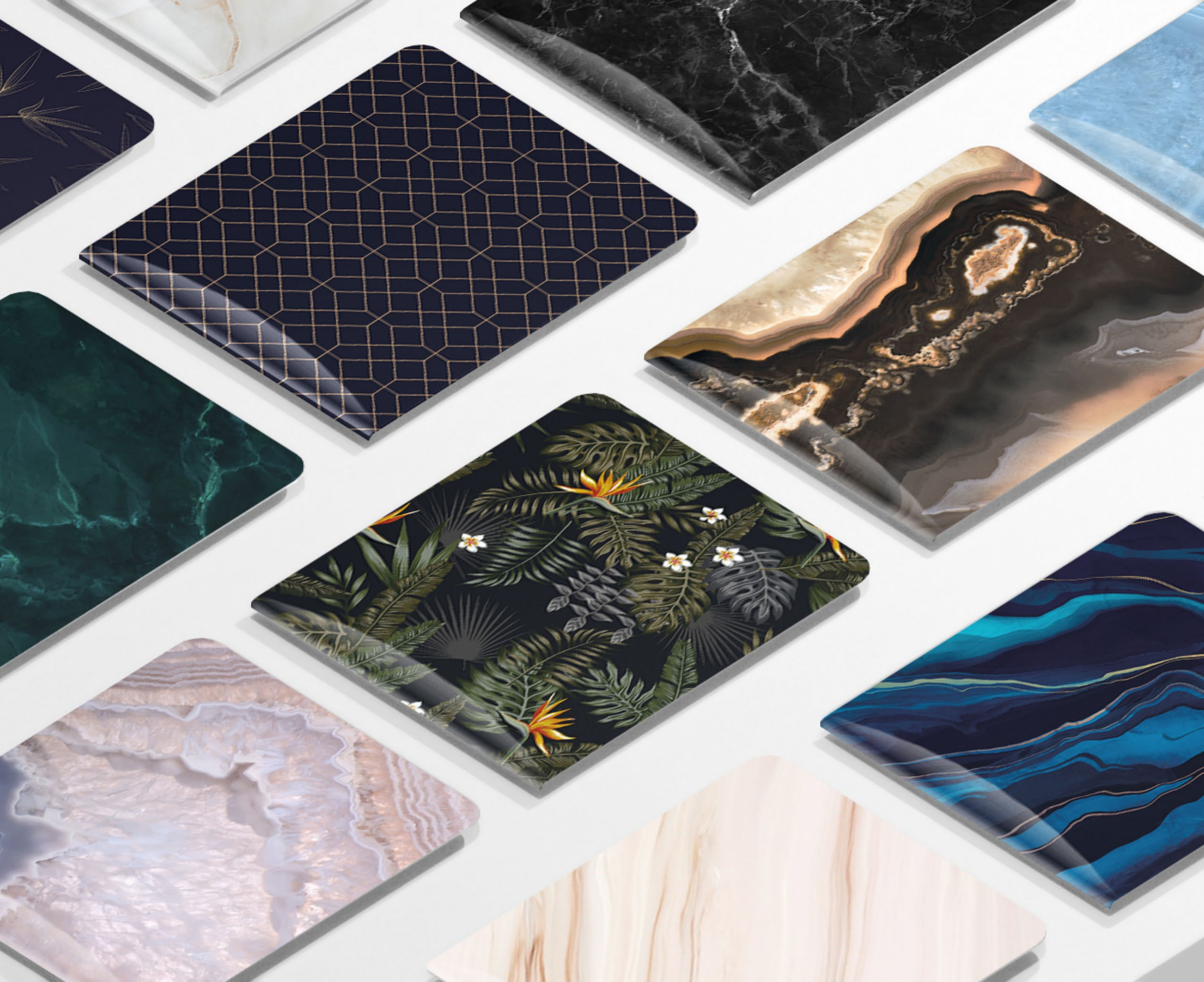
- 1 Lock-out feature**
Prevents accidental setting changes.
Hold button for 3 seconds to unlock.
- 2 Towel length**
Select from 3 sheet length options:
10" (25.5cm), 12" (30.5cm) and 14" (35.5cm)
- 3 Sensor sensitivity/Hanging mode**
Set towel in hidden or hanging mode and
adjust sensor to 2 levels of sensitivity.
- 7 Feed paper**
Manually feed paper with a touch of a button for
refined reloading.

INDICATOR LIGHTS

- 4** Low paper/ No paper
- 5** Paper jam
- 6** Low battery

SERVICER ALERT LED

- 8** Blue - low paper alert
Red - Maintenance alert



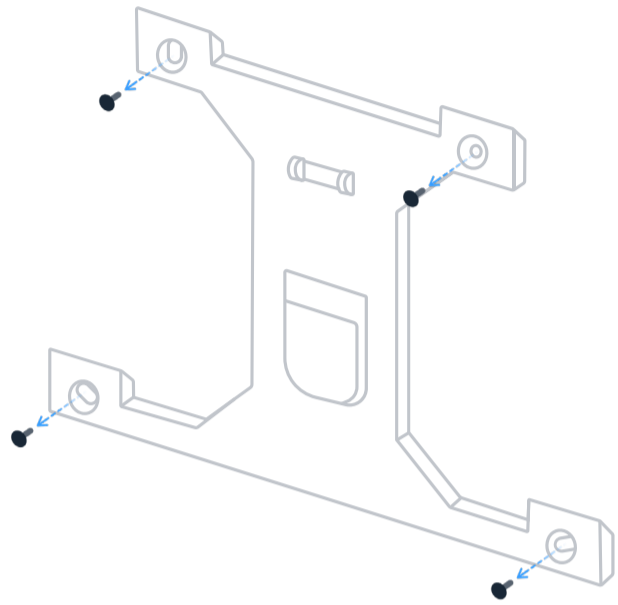
CUSTOM FACEPLATES | COMING SOON

Endless possibilities

Envision a space for creative expression as well as unique promotional and design opportunities, and untap branding and advertising potential with an innovative messaging platform.

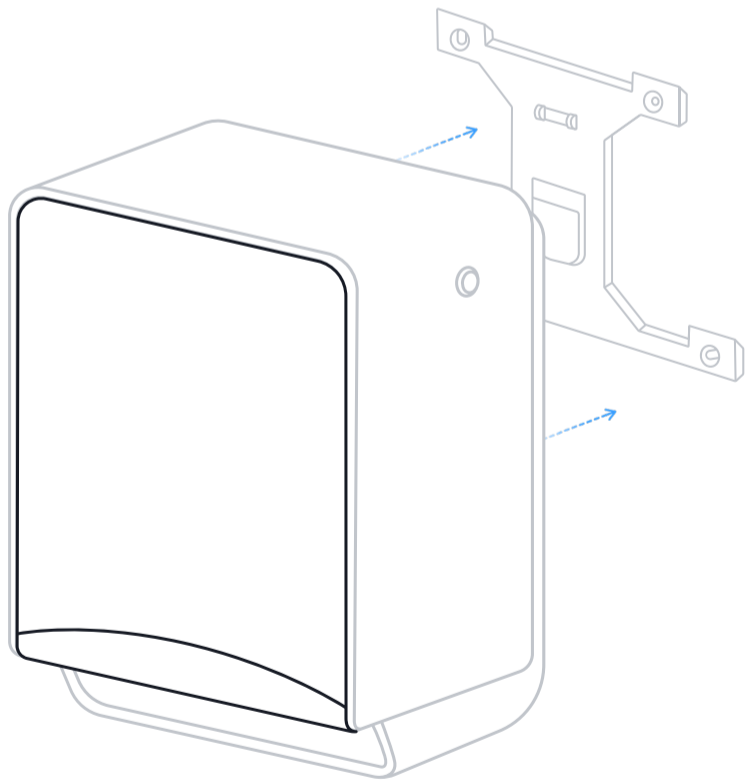


Quick and easy installation method



01 Level and install the mounting bracket

Brace the mounting bracket in place on the wall, ensure bracket reads level and mark holes to drill. Drill a hole in each of the four marked locations and insert anchors. Insert a screw into each wall anchor to secure the mounting bracket to the wall.



02 Align and snap the unit in place

Line the mounted wall bracket up to the rear corresponding bracket pocket of the dispenser backplate. Lower the dispenser until the lock button clicks.





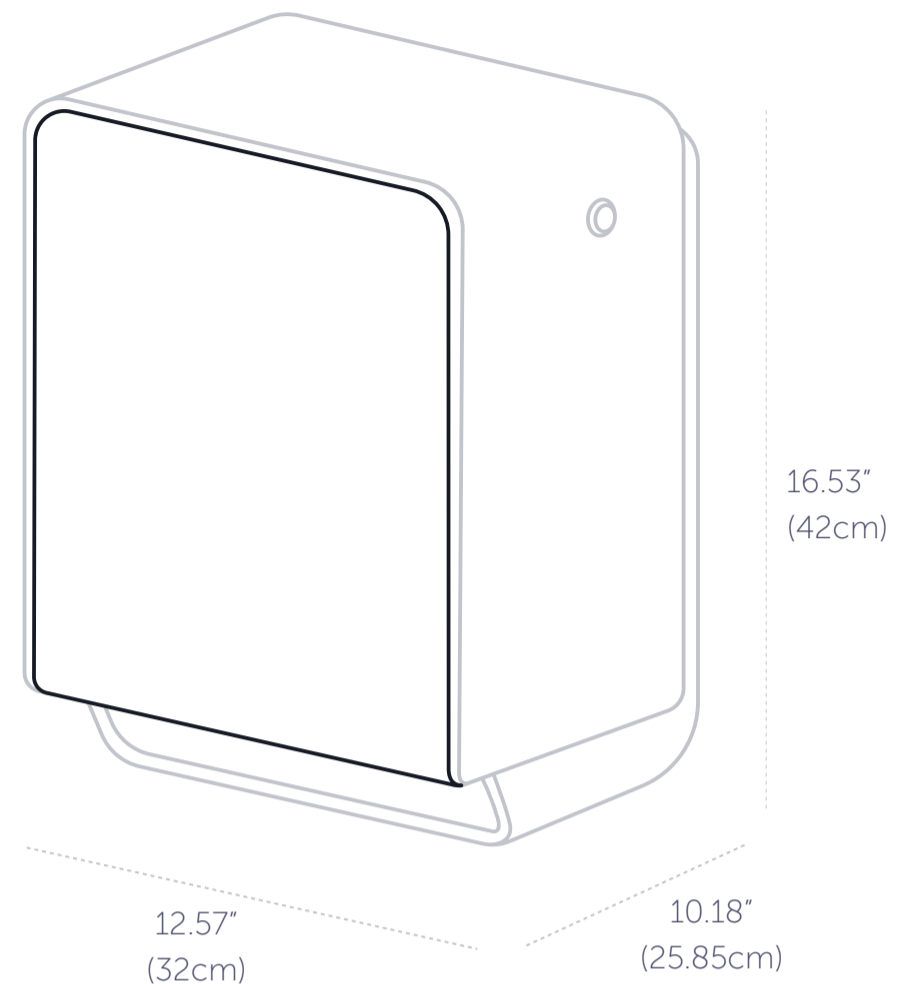
TECHNICAL SPECIFICATIONS

ICON™ Electronic Roll Towel Dispenser

The ICON™ Automatic Paper Towel Dispensing System is Kimberly-Clark Professional's industry-leading innovation, changing the face of the restroom forever.

Dimensions (WxHxD)	Qty/Case
12.57" x 16.53" x 10.18"	1x
32 cm x 25.85 cm, 42 cm	

Lifetime Warrantyt ✓



PRODUCT FEATURES

- Dual sensors, precisely dispenses the amount of paper towels desired
- Kimberly-Clark Professional's quietest towel dispensing experience¹
- LED Indicator lights, communicate when a unit needs attention, minimizing touchpoints
- Jam-free operation, proven 99.99% jam-free dispensing performance²
- Stub roll capability that enables restocking before the roll is empty⁴
- Long-lasting battery life, single set of batteries can last up to 150,000 dispenses³
- Flexible accessibility options, Versatile locking mechanism options include push button entry and a custom key entry
- Dampened hinge technology, controlled opening makes changeouts an easy-to-complete, one-handed operation
- Color coded touch-points, minimizes contact for a more hygienic paper towel change-over

FACEPLATES*

- Silver Mosaic (58760)
- Ebony Woodgrain (58830)
- White Mosaic (58770)
- Warm Marble (58790)

FOOTNOTES

- ¹Comparing KCP dispensers available across APAC
- ²Based on Kimberly-Clark Professional lab testing
- ³Based on testing using GP and Excell batteries. Performance may vary depending on batteries available in your country.
- ⁴Coming soon in late 2022
- *Designs may vary by country



ICON™

Kimberly-Clark
PROFESSIONAL™

†Terms and conditions apply. Lifetime Warranty applies to proprietary ICON™ dispensers while they are installed and used with Kimberly-Clark Professional products, which are specifically designed for safe use with those dispensers. The warranty does not cover batteries or misuse, vandalism and/or other user-caused damage including damage caused by repairs not authorized by Kimberly-Clark and damage arising from installation which is not recommended in the instruction manual (which includes using adhesive tape to install the dispenser).

®/™ Trademarks of Kimberly-Clark Worldwide, Inc. or its affiliates.