



ICON™



Toilet Tissue Dispensers

Engineered to provide you confidence, designed to elevate your space.





CONFIDENCE BY DESIGN

Standard Roll Toilet Tissue Dispensers

Elevate your space with the latest advancement in reliable dispensing. The Kimberly-Clark Professional™ ICON™ collection offers a coordinated range of paper towel, toilet tissue and skincare dispensers to give your facility a unified style. Thoughtfully engineered with an eye on aesthetics, the collection refines every interaction of the dispensing experience.





REFINED TECHNOLOGY

Redefine the restroom

Designed to take the restroom to the next level, ICON™ dispensers are engineered to minimize run out and require less refill servicing¹ with uncompromising style.

Lifetime Warranty† for our
ICON™ dispenser collection

Proudly offered by Kimberly-Clark Professional™



Complementary design

A sleek and stylish family of dispensers suited for high-traffic restrooms with variable dispenser formats.



Engineered for better efficiency

Higher capacity which leads to fewer changeouts¹.



Intuitive installation

The dispenser installation process is a snap with custom engineered mounting brackets, a built-in level and clip-on mounting.

¹Compared to single roll bath tissue system.

*Designs may vary by country

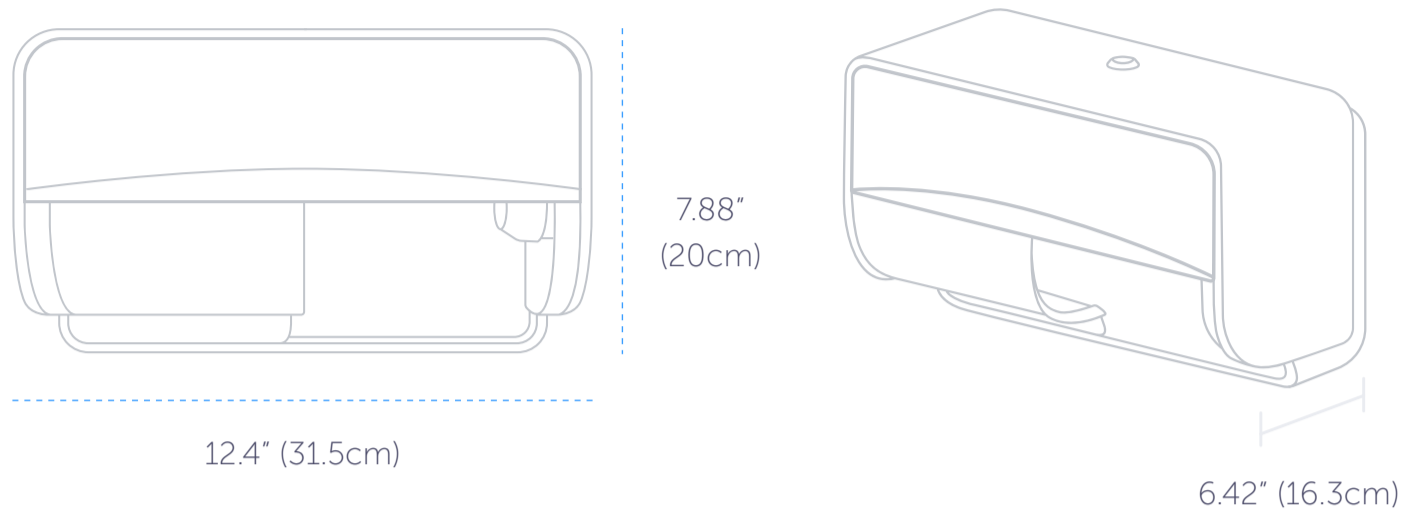


OVERVIEW

ICON™ Standard Roll Horizontal Toilet Paper Dispenser

Take the restroom to the next level in hygiene. Dispensers are engineered to minimize waste and make servicing faster and more infrequent with uncompromising style.¹

Dimensions (WxHxD)	Qty/Case
12.4" x 7.88" x 6.42"	1x
31.5cm x 20cm x 16.3cm	

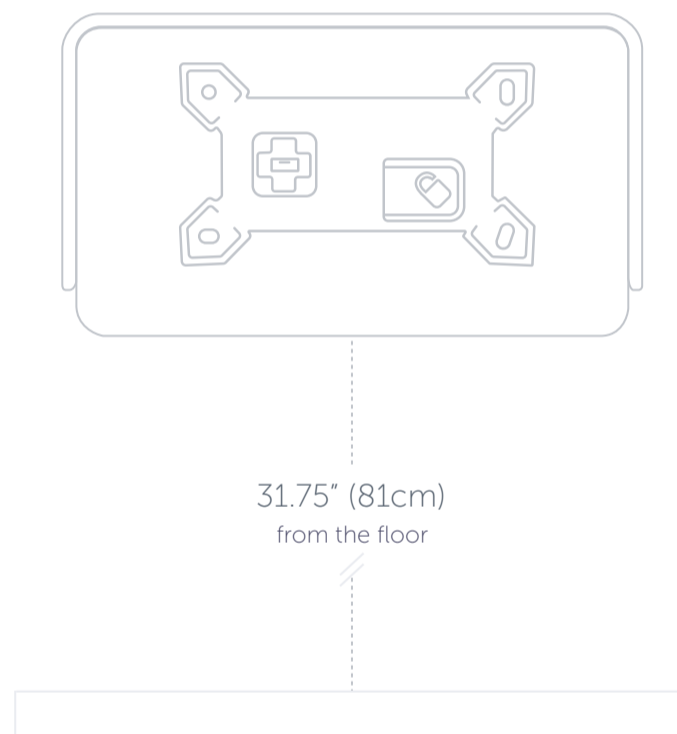


TECHNICAL SPECIFICATIONS

Suggested mounting bracket height is 31.75" (81cm) from the floor.

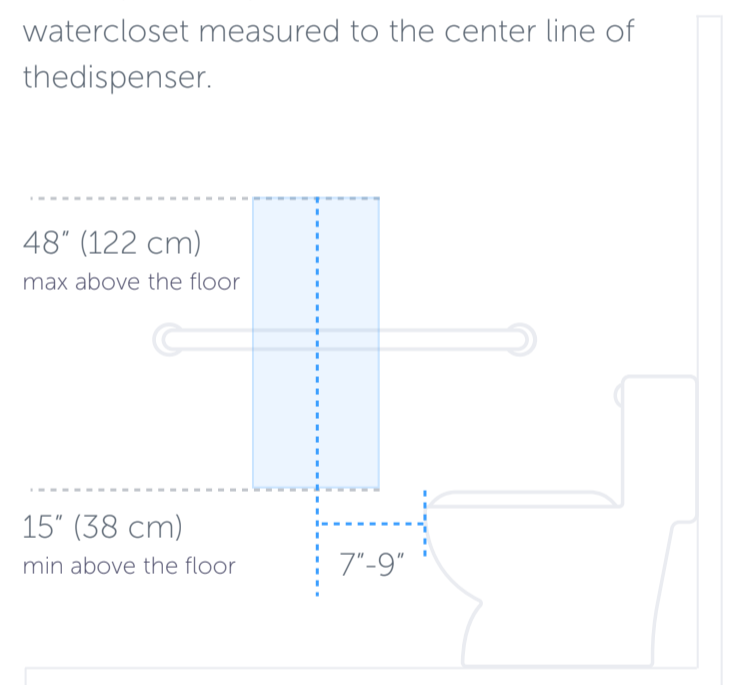
Ensure the required clearance space is free of obstructions for proper dispenser installation.

Lifetime Warranty ✓
†



MOUNTING REQUIREMENTS

Mount the toilet paper dispensers to be 7 inches (180 mm) minimum and 9 inches (230 mm) maximum in front of the water closet measured to the center line of the dispenser.



PRODUCT FEATURES

- Sleek and stylish yet suited for high-traffic restrooms with variable toilet paper roll options
- Simplified installation process with custom engineered mounting brackets, a built-in level and clip-on mounting

- Engineered with increased accessibility for a smooth, controlled opening experience that makes refilling a snap

FACEPLATES*

- Silver Mosaic (58762)
- Ebony Woodgrain (58832)
- White Mosaic (58772)
- Warm Marble (58792)

¹Compared to single roll bath tissue system
*Designs may vary by country



ICON™



†Terms and conditions apply. Lifetime Warranty applies to proprietary ICON™ dispensers while they are installed and used with Kimberly-Clark Professional products, which are specifically designed for safe use with those dispensers. The warranty does not cover batteries or misuse, vandalism and/or other user-caused damage including damage caused by repairs not authorised by Kimberly-Clark and damage arising from installation which is not recommended in the instruction manual (which includes using adhesive tape to install the dispenser).

®/™ Trademarks of Kimberly-Clark Worldwide, Inc. or its affiliates.